

Ø39.0

Ø 40.0 <sup>+0.042</sup>  
<sub>+0.026</sub>

Ø 44.0

Ø40.0 <sup>+0.042</sup>  
<sub>+0.026</sub>

1.0 x 45°

0.5 x 45°

20.0

1.0 x 45°

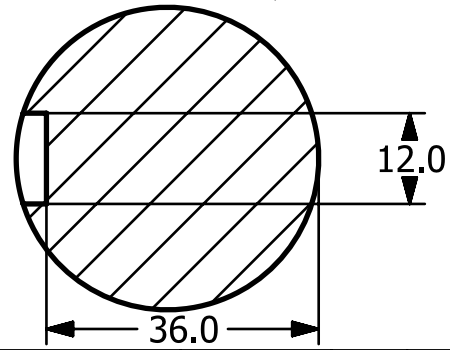
1.0 x 45°

1.0 x 45°

43.5



35.5



36.0

**SIEMENS**

THIS DRAWING HAS BEEN PRODUCED USING AN EXAMPLE  
TEMPLATE PROVIDED BY SIEMENS PLM SOFTWARE

FIRST ISSUED	6/10/2018	TITLE	
DRAWN BY	Arturas Malinauskas	Shaft A	
CHECKED BY		SIZE	DWG NO.
APPROVED BY		A4	A_assy
		SCALE 1:1	SHEET 1 OF 1

SHEET REV

A

ALL DIMENSIONS IN  
MM

A4